

FM10AD-V

10.4" Vehicle Mount Terminal with Intel® Alder Lake Processor



KEY FEATURES

- 12th Gen. Intel® Processor Family – Alder Lake Processor
- 10.4" 1024 x 768 Panel with PCAP touch screen vehicle mount terminal
- IP65 waterproof and dustproof
- Wide power input 10-60V DC with ignition
- Wide range operating temperature
- Support VESA Mount



OVERVIEW

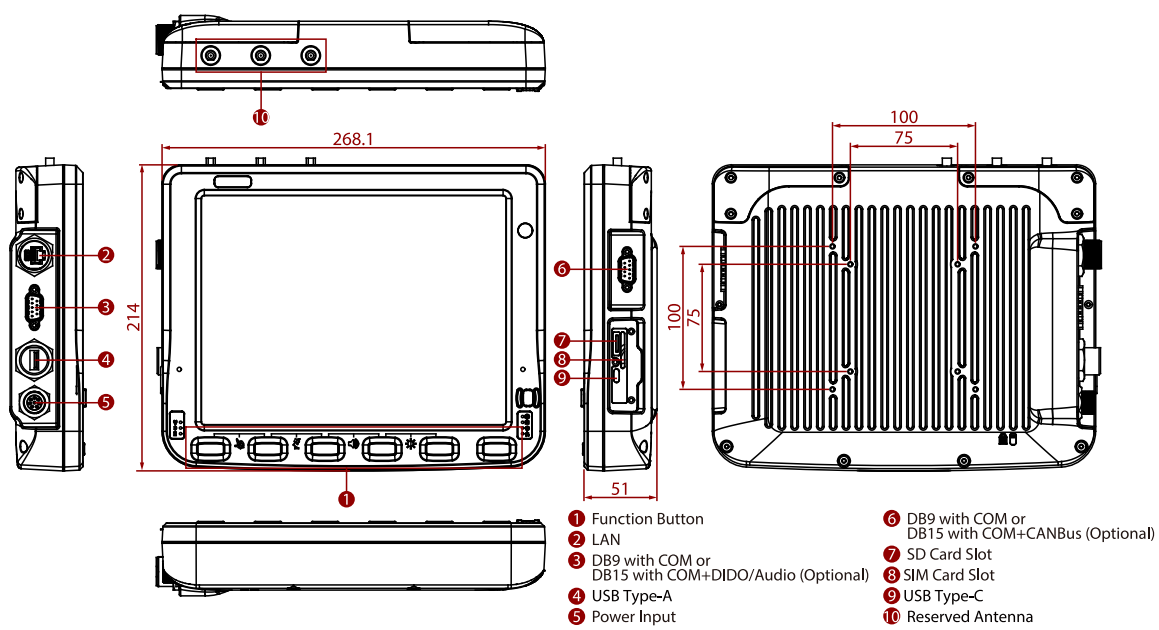
SPECIFICATIONS

Display	
Resolution	1024x768
Contrast Ratio	1200:1
View Angles	88,88,88,88
Touch Mode	Support Hand, Stylus, Glove Mode
System Specification	
Processor	Intel® Core™ i5-1235U 3.30 GHz (up to 4.40 GHz)
Storage	128GB NVMe SSD 256GB NVMe SSD (Optional)
Operating System	Windows 10 IoT Enterprise LTSC (64 bit) Windows 11 IoT Enterprise LTSC (64 bit) (Optional)
BT	Support
GNSS	GPS/GLONASS (Optional)
Memory	8GB DDR5 SDRAM, up to 32GB
Security	TPM 2.0
WLAN	Support
WWAN	LTE/5G Sub 6 (Optional)
Sensors	G-Sensor, Light Sensor ,Temp Sensor
Camera	
Front Camera	2MP Camera
Mechanical	
Dimension	268 x 214 x 51 mm
Mounting	VESA mount
Weight	2.4 kg
Cooling System	Fanless Design
IO Ports	
USB Port	1 x USB 3.0 Type C 1 x USB 2.0 Port
SD Card Slot	1 x Micro SD Card Slot
Audio	1 x Audio(Mic in & Line Out) either one with DIDO (Optional)
Serial Port	2 x RS232/422/485 (Default RS232)
Indicator	6 x LED Indicator
CANBUS	1 x CANBus (Optional)
SIM Card Slot	1 x Dual-Nano SIM Card Slot
LAN	1 x Gigabit LAN port PSE (IEEE 802.3at 30W) (Optional)
DIDO	1 x DIDO (2XDI ; 2XDO) either one with Audio (Optional)
Environment	
Operating Humidity	5% to 95% RH, Non-Condensing
Storage Temperature	-30°C to 60°C
Vibration	MIL-STD-810H Method 514.8 Procedure I
Impact	Support EN62262 IK07 Rating
Operating Temperature	-30°C to 60°C
Shock	MIL-STD-810H Method 516.8 Procedure I
IP rating	IP65
ESD	Compliant with EN 61000-4-2, Enhanced ESD to ±8kV Direct & ±15kV Air
Certification	
Certification	CE, FCC FCC (Electromagnetic Emissions), IC (ICES-003) UL60950-1, EN60950-1, PTCRB
Control	
Button	1 x Power Button, 6 x Function Button (Programmable Function Key Configured by Winset)

Power	
Power Rating	10V~60V with ignition control
Security Function	
SOTI MobiControl	SOTI MobiControl Compliance
Accessory	

Accessory	1.8M Power Cable with Fuse Kit 0.15M Power Converter Cable DC Jack Power Cable 150W Adapter with power cable Quick Start Guide	Optional Accessory	Stylus Kit + Screw 1.8M RS232 Cable 2M IP65 LAN Cable GPS & LTE 5M Combo Antenna (VM9C) GPS & LTE Magnetic Combo Antenna (VM10S) GPS Antenna WWAN Antenna 2M Waterproof USB Type-A to A Cable Cable Clamp Kit COM Port + CANBus Cable COM Port + DIDO Cable
------------------	--	---------------------------	---

DIMENSIONS UNIT:MM



- 1 Function Button
- 2 LAN
- 3 DB9 with COM or DB15 with COM+DIDO/Audio (Optional)
- 4 USB Type-A
- 5 Power Input
- 6 DB9 with COM or DB15 with COM+CANBus (Optional)
- 7 SD Card Slot
- 8 SIM Card Slot
- 9 USB Type-C
- 10 Reserved Antenna

NOTE

- This is a simplified drawing and some components are not marked in detail.
- Please contact our sales representative if you need further product information.
- All specifications are subject to change without prior notice.
- The product shown in this datasheet is a standard model. For diagrams that contain customized or optional I/O, please contact the Winmate Sales Team for more information.
- COM port can supply 5V power via the 9th pin.